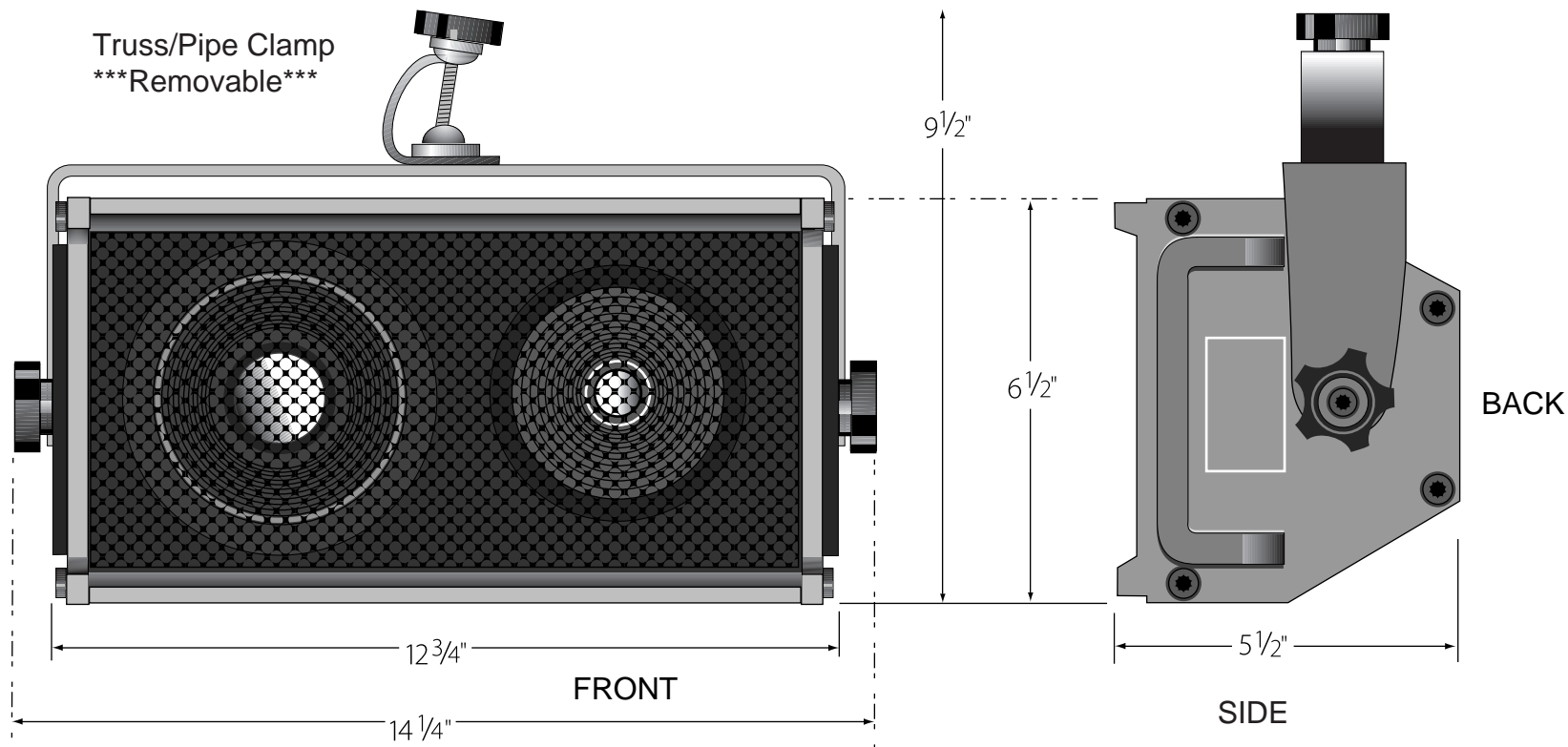


TOA SM-60 Professional Loudspeaker



1565-C MABURY ROAD
SAN JOSE, CA 95133
408/347-3700
FAX: 408/347-3701
WEB: www.riverview.com

Weight:	10 lb
Electrical Line / Load:	None
Control Location:	None
Connector Location:	Back /Center
Ventilation Exhausts::	None
IR Remote Window:	None
Recommendations:	none